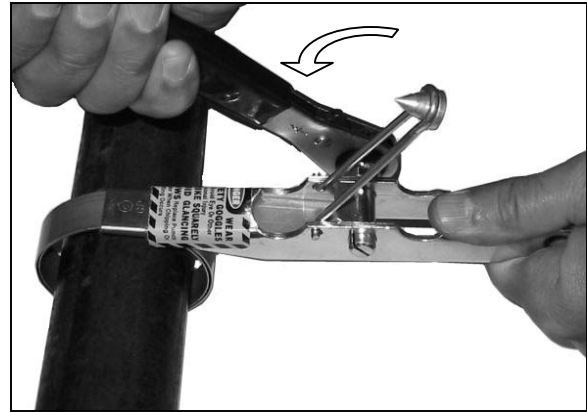
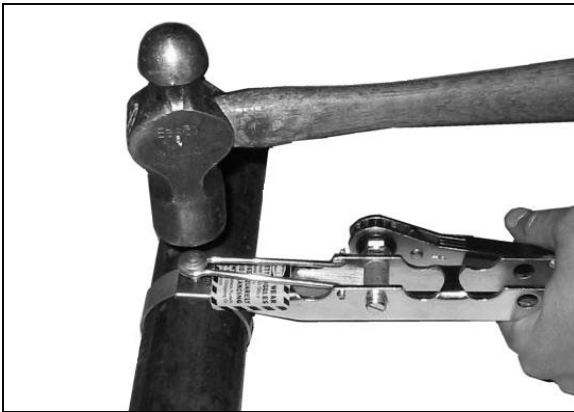


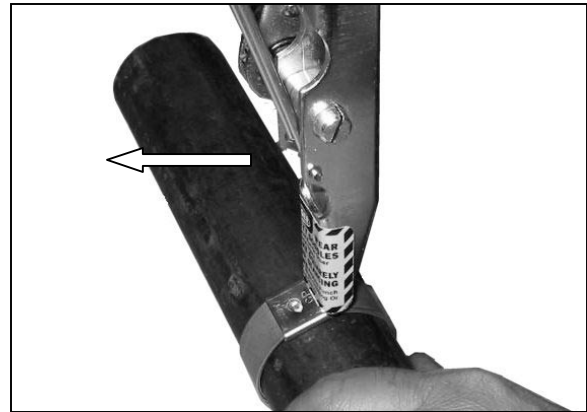
1. Tool is designed specifically for 3/8" and 5/8" center punch clamps only. Insert clamp in tool and then insert wrench assembly. If you prefer, install wrench assembly before clamp is inserted. Slot must be aligned with clamp tail.



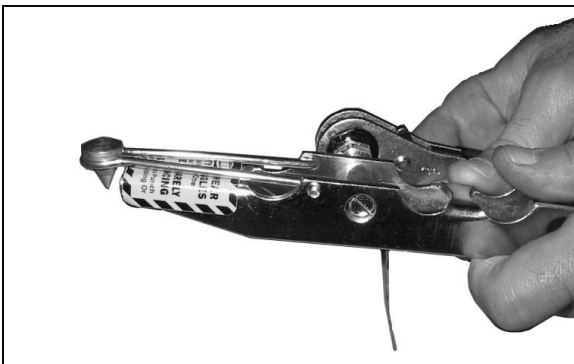
2. Start "pumping" ratchet wrench forward until proper tension has been applied.



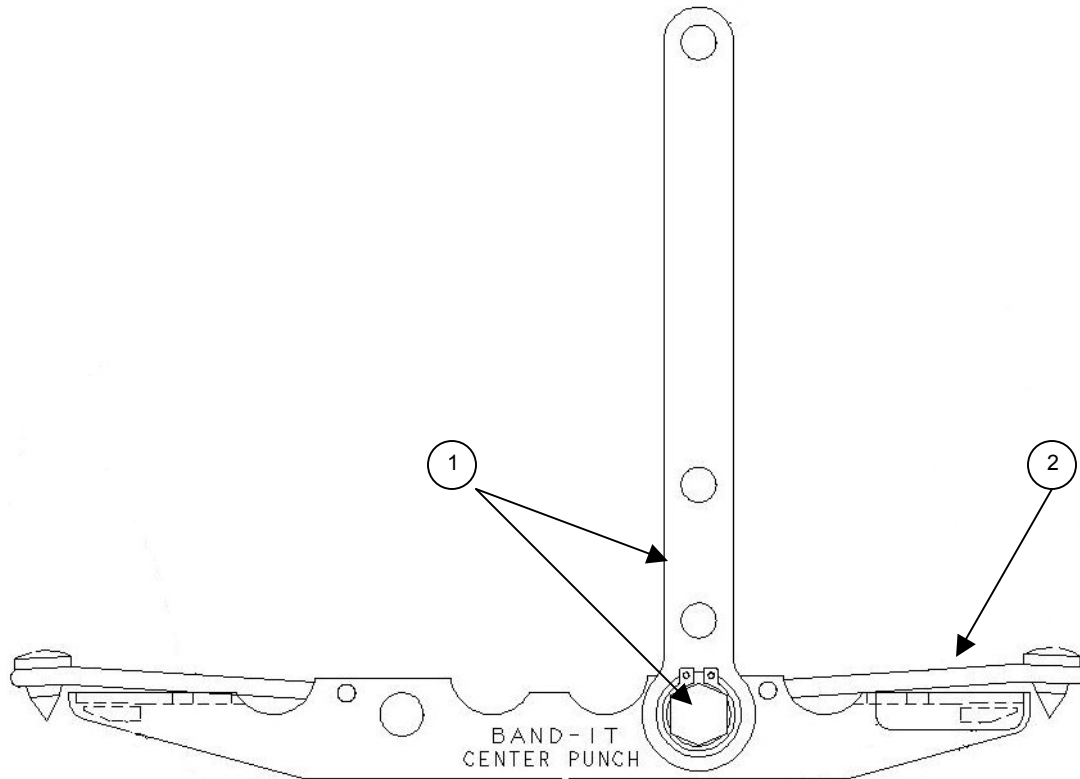
3. Place punch on clamp and while holding tension with ratchet wrench, lock clamp by striking punch once or more with hammer, depending on object being clamped.



4. While holding tension with wrench, pivot tool up against buckle, then backward several times to break off clamp tail.



5. To loosen clamp tail, wind ratchet wrench until tail is free. Remove ratchet wrench assembly and clamp tail. *Caution: Clamp tail may spring back once released from tool nose.*



REPAIR PARTS LIST – S038 CENTER PUNCH TOOL		
ITEM NUMBER	PART NUMBER	DESCRIPTION
1	J02786*	WINDING MANDREL ASSEMBLY
2	S20288	PUNCH HOLDER ASSEMBLY

*REPAIR PARTS MAY APPEAR DIFFERENT THAN ILLUSTRATED.

Unless sold without warranty, BAND-IT products are warranted to be free from defective workmanship and/or materials for a period of one year from the date of purchase. Warranty on tools is void if clamps not meeting BAND-IT specifications are used, or if the tool is altered or abused in any manner, including lack of lubrication or used for any purpose in any way not intended by the manufacturer as specifically covered by the instructions accompanying the tool. Specific tool components, such as knives, blades and grippers, which are subjected to normal wear, are excluded from this coverage, as component life depends on usage of the tool. Tools that are repaired or sold as used by BAND-IT are subject to a warranty of 90 days from date of shipment. **NO OTHER WARRANTY OF ANY KIND WHATSOEVER, EITHER ORAL OR WRITTEN, INCLUDING IMPLIED WARRANTY OF MERCHANTABILITY, FITNESS FOR A PARTICULAR PURPOSE, OR OTHER WARRANTY OF QUALITY IS EITHER EXPRESSED OR IMPLIED FOR THE PERFORMANCE OF BAND-IT PRODUCTS. BAND-IT SHALL NOT BE LIABLE FOR SPECIAL, INCIDENTAL, AND/OR CONSEQUENTIAL DAMAGES, EVEN IF BAND-IT HAS BEEN NOTIFIED OF THE POTENTIAL OF SUCH LOSS OR CLAIM. (8/02)**