

BAND-IT®

PRODUCT RANGE



Table of Contents

Band & Buckles 201 Stainless Steel	2
Mounting Brackets	2
Cable Ties 316 Stainless Steel	3
Coated & Uncoated Band & Buckles 316 Stainless Steel	4
Giant Band & Buckles 201 Stainless Steel	5
Bolt Clamps	5
ID Tags	6
Valu-Strap Band & Valu-Clips	6
Scru-Seals Clamping System	6
Difference between 201 & 316 Stainless Steel	7
Tool Instruction Manuals	7

UES *Polaris Nominees P/L*
ACN 005 089 207
trading as
Promura

ABN 55 155 859 127

10-12 McWilliam Street Springvale Vic 3171
Phone: (03) 9547 5833 Fax: (03) 9548 1537

PO Box 2 Sandown Village Vic 3171
www.uespromura.com.au
sales@uespromura.com.au

BAND-IT® 201 Stainless Steel Bands

The BAND-IT® type 201 Stainless steel non-magnetic band is the preferred option in all general use banding applications, offering high tensile strength and good resistance to oxidation and weathering. Available in a variety of widths and thicknesses.

In addition, EASYSSCALE – imprinted measurements on the band, help determine band length and eliminate costly waste. Packaged in a standard box or a durable plastic tote for easy dispensing.



BAND-IT® 201 Stainless Steel Bands 30.5m roll

Code	Width mm	Thickness mm	Weight kg
C202	6.35	0.51	0.9
C203	9.53	0.64	1.5
C204 Blue tote	12.70	0.76	2.4
C205 Green tote	15.88	0.76	3.0
C206 Red tote	19.05	0.76	3.6
BAND-IT® Type 201 Stainless Steel Buckles (100 per pack)			
C252	6.35		0.1
C253	9.53		0.3
C254	12.70		0.8
C255	15.90		0.9
C256	19.05		1.5

Tool for Band-It Band & Buckles Weight: 2 kg

C001	BAND-IT® Tool for bands 6mm – 20mm wide
------	---



Ear-Lokt Buckles
In various widths
For BAND-IT® 201
Stainless Steel Bands.



C001 Band it Tool

BAND-IT® Stainless Steel Sign Mounting Brackets

- Used to mount traffic signs, security devices and enclosures with a reinforced design to withstand stress and wind vibration.
- Fully threaded to solidly anchor attachment bolts.
- Supplied with Hex head bolts with metal and plastic washer.
- No nuts required!



Stainless Steel Brack-Its – Single Bolt, Flared leg (50 per pack)

Code	Description	Use with	Weight kg
D310	Mini Brack-It SS 13 mm slot	C204 Blue	1.4
D021	Brack-It SS 20 mm slot	C206 Red	3.2

Stainless Steel Cable Ties



Ball-Lokt™ Ties

For applications ranging from identification tagging to bundling cables, Ball-Lokt™ Ties in 316 stainless steel, provide a longer life than nylon ties, especially in extreme climates.

The epoxy coated ties are UV resistant and provide minimal cracking when exposed to lower temperatures or harsh conditions.

Self-locking design installation by hand or with the KS652 tool, to assure uniform tension and clean tail cut-off for safe handling.



Used in cable management applications to reduce the risk of cutting or abrading cable



Ball-Lokt™ corrosion resistance is ideal for harsh marine environments

Ball-Lokt™ Ties 316 Stainless Steel (100 per pack)

Code	Length mm	Width mm	Weight gm
KT6U046-200	200	4.6	250
KT6U046-350	350	4.6	400
KT6U046-500	500	4.6	500
KT6U078-200	200	7.8	500
KT6U078-350	350	7.8	750
KT6U078-500	500	7.8	900

Black Epoxy Fully Coated – Ball-Lokt™ Ties 316 SS

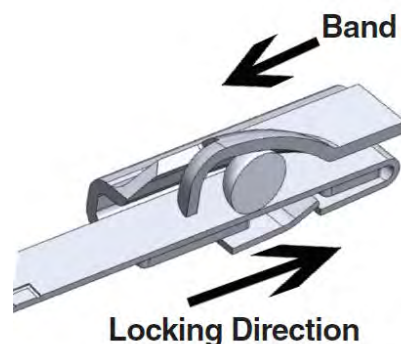
KT6B046-200	200	4.6	300
KT6B078-350	350	7.8	800

Tool for Ball-Lokt™ Ties Weight: 600 gm

KS652	Ball-Lok Tensioner & Cutter for SS Cable Ties
-------	---

Self-Locking Application

1. As the stainless steel band is inserted into the buckle, the internal locking ball rolls freely.
2. During tensioning, the band wedges into the buckle locking it tightly between the buckle and the band.



BAND-IT® 316 Stainless Steel Band – Coated & Uncoated

The BAND-IT® 316 Stainless Steel Band-It straps provides superior corrosion resistance in fresh water and typical atmospheres and is non-magnetic. Ideal for food process, chemical / agricultural hose assemblies, marine splash zones and some acidic environments.

The Coated 316 Stainless Steel is designed to eliminate damage and protect cables when bundled.



**316 Coated
Stainless Steel Band**

BAND-IT® PPA Coated 316 Stainless Steel 25m roll Thickness: 0.38 mm SS Including coating: - 1.22 mm		
Code	Width mm	Weight kg
AE4349	12.70	1.3
AE4359	15.88	1.6
AE4369	19.05	2.0
Clips (100 per pack)		
AE4549	12.70	0.5
AE4559	15.88	0.6
AE4569	19.05	0.7



**Stainless Steel Clip
(with extra height)
for Coated
316SS Band**

BAND-IT® Tool for 316 Stainless Steel	
CO75	Band-It Bantam Tool for Light Duty Banding only Weight: 1.2 kg



CO75 Light duty Band it Tool

BAND-IT® Uncoated 316 Stainless Steel 30.5m roll			
Code	Width mm	Thickness mm	Weight kg
C403	9.53	0.63	1.5
C404	12.70	0.76	2.4
C406	19.05	0.76	3.6
Buckles (100 per pack)			
C453	9.53		0.3
C454	12.70		0.8
C456	19.05		1.5



**Ear-Lokt Buckle
for Uncoated
316SS Band**

BAND-IT® Tool for 316 Stainless Steel	
C001	Band-It Tool for bands 6mm – 20mm wide Weight: 2.0 Kg



C001 Band it Tool

BAND-IT® Giant 201 Stainless Steel Band

BAND-IT® Giant Band is tough where tough counts. Giant Band produces the strongest band clamp on the market. Giant Band can be formed into a single or double wrapped clamp configuration, and offers the widest and thickest band to provide maximum strength. The 201 Stainless steel offers good resistance to oxidation and many moderate corrosive agents.



BAND-IT® Giant Band Type 201 Stainless Steel
Roll Length: 30.5m Thickness: 1.12mm

Code	Width MM	Weight kg
G430	19.05	5.2
G431	25.40	6.8
G432	31.75	8.5
Buckles 25 per pack		
G440	19.05	0.8
G441	25.40	1.0
G442	31.75	1.4



GIANT Ear- Lokt Buckles
For BAND-IT® Giant
Stainless Steel Band

G402 Giant
BAND-IT® Tool



Tool for Giant BAND-IT® bands Weight: 5kg

G402	BAND-IT® Giant Tool for bands 19.05mm to 31.75 mm wide x 1.12 mm thick
-------------	--

BAND-IT® Bolt Clamps

- Used for hanging Telecommunication antennas onto monopoles.
- Supplied with two aluminium retainers, carriage bolt and nut.
- The Bolt Clamp can be installed easily without the need for a special tool.
- Paired with the Giant Band for high strength application



BAND-IT® Bolt clamps

BAND-IT® Bolt Clamps

Code	Description	Slot size	Use with	Per Pack	Weight kg
UESD500	2 x Aluminium retainers, 1 x 9.53 mm x 150 mm bolt & 1 x 9.53 mm nut	20 mm	G430	50	9
UESD504	2 x Aluminium retainers, 1 x 15.88 mm x 200 mm bolt & 1 x 15.88 mm nut	32 mm	G432	25	14

ID Tagging System

Identify your cable bundles or hose assemblies with permanent 316 stainless steel imprinted tags applied with Ball-Lokt™ Ties.

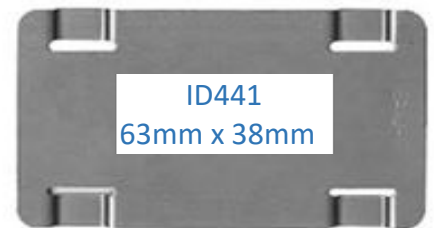
An ID Tag imprinter is available with a choice of character sizes.



ID Tag Imprinter Tool

ID Tags 316 Stainless Steel 100 per pack

Code	Length mm	Width mm	Weight kg
ID440	51	19	0.3
ID441	63	38	0.8
ID442	89	19	0.5



BAND-IT® Stainless Steel Scru- Seal Clamping System



- Valustrap™ bands is used with Valu-Clips or with Scru-seals to create any size clamp
- An adjustable worm drive, screwdriver clamp can be made with any band cutter and a screw driver
- Reusable - can be released and tensioned at any time.
- Available as a kit or separately packaged rack and bands for complete flexibility.

Valustrap™ Stainless Steel Band 30.5m roll Thickness: 0.38mm

Code	Width mm	Length m	Weight kg	Valu-Clips (100 per pack)	Valu-Clip Weight per pack kg
C133	9.53	30.5	0.9	C153	0.25
C134	12.70	30.5	1.2	C154	0.45
C136	19.05	30.5	1.8	C156	0.90
C128	12.70	61.0	2.5	C154	0.45
M210 Scru -Seal Kit	30.5 m of 9.5 mm band, 25 Stainless steel racks & Seals			Weight:	1.6
M211	Stainless Steel Racks and Seals only (10 per pack)			Weight:	0.3

BAND-IT® 201 Stainless Steel vs BAND-IT® 316 Stainless Steel

Selecting the correct steel will depend on the tensile strength or corrosion resistance specifications of your project.

Corrosion Resistance	201 Stainless Steel	316 Stainless Steel
Mild Atmospheric & Fresh water	Good	Excellent
Industrial Atmosphere	Good	Very Good
Marine Atmosphere	Fair	Very Good
Salt Water	No	Good
Mild Chemical	Fair	Good
Oxidizing Chemical	Fair	Good
Reducing Chemical	No	Good
Ultimate Tensile Strength	690 MPa	550 MPa

Click on the image to open the instruction manuals:



C001 Band it Tool



C075 Light duty Band it Tool



G402 Giant
BAND-IT® Tool



KS652 Ball Lok
Tie Tool



BAND-IT®
Scru-Seal Clamps



BAND-IT® Bolt clamps

Starting a project and needing BAND-IT® stock?
 We ship nationwide and are able to send express! Have a question?
 Call our friendly team (03) 9547 5833
 Email us: info@band-it-australia.com.au or visit our
 Website: www.band-it-australia.com.au